

GAS GROUP IIC

GUB/EMH.. Series with window - Copper-free aluminium or Stainless Steel AISI 316 L

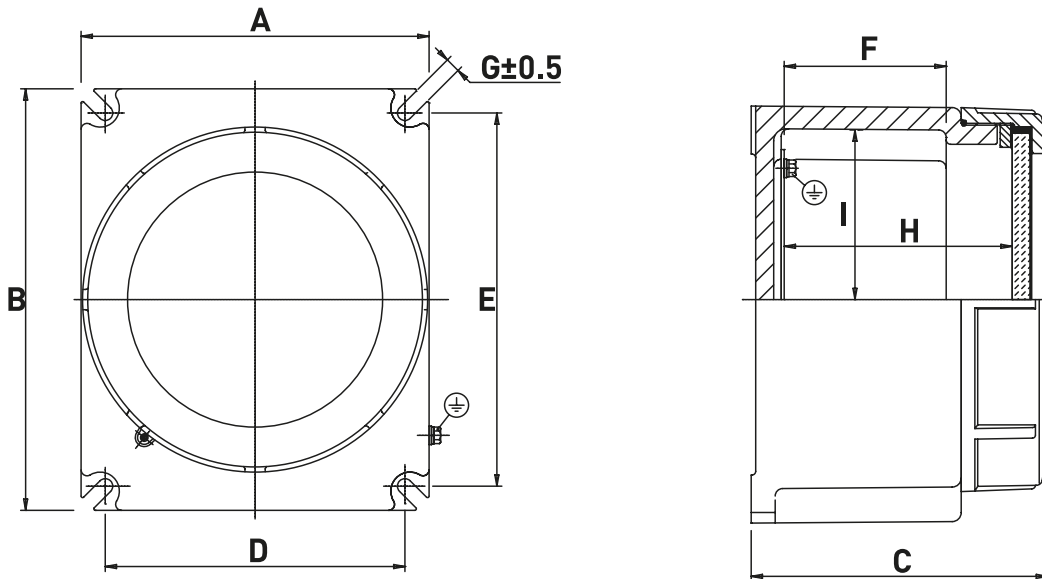


GUB/EMH.. series enclosures offers Ex d IIC mode of protection.
They are suitable for hazardous areas of industrial plants for indoor and outdoor applications.
GUB/EMH version is equipped with window made of tempered glass

TECHNICAL FEATURES

Material	Copper-free aluminium Stainless steel AISI 316 L (upon request) The sides A,B & C can be increased/decrease of 10%		
IP rating	IP66		
Ambient temperature range	-50°C to +55°C (ATEX) -60°C to +60°C (IECEX)		
Approvals	<table><tr><td><u>Full conformity certificate:</u> ATEX: 00ATEX0033X IECEX: BKI 15.0003 EAC: RU C-IT.BH02.B.00588/20</td><td><u>Component certificate:</u> ATEX: IMQ 09 ATEX 018U IECEX: IECEX INE 09.0016U EAC: RU C-IT.BH02.B.00588/20</td></tr></table>	<u>Full conformity certificate:</u> ATEX: 00ATEX0033X IECEX: BKI 15.0003 EAC: RU C-IT.BH02.B.00588/20	<u>Component certificate:</u> ATEX: IMQ 09 ATEX 018U IECEX: IECEX INE 09.0016U EAC: RU C-IT.BH02.B.00588/20
<u>Full conformity certificate:</u> ATEX: 00ATEX0033X IECEX: BKI 15.0003 EAC: RU C-IT.BH02.B.00588/20	<u>Component certificate:</u> ATEX: IMQ 09 ATEX 018U IECEX: IECEX INE 09.0016U EAC: RU C-IT.BH02.B.00588/20		
Marking	II 2 GD Ex d IIC T(*) Gb Ex tb IIIC T(*) Db IP66 * T6/T85°C, T5/T100°C, T4/T135°C		
Surface treatment	Polyurethane painting cycle - Blue colour RAL5014 (other colour available upon request)		
Entries	Metric pitch 1.5, ANSI B1.20.1 NPT		
Standard certificate label	Made by self adhesive UV and corrosion resistant polyester, approved by certified Laboratory.		
Optional accessories	Drain/breather valve Internal anticondensate painting Traffolyte/Stainless steel certificate label		

Dimensions GUB/EMH..



GUB/EMH.. Series enclosures c/w internal mounting plate - Copper-free aluminium - Standard versions*

TYPE	CODE	DIMENSIONS [mm]							WINDOW DIAMETER	WEIGHT [Kg]
		A	B	C	D	E	F	H		
EMH-160	B016084010003	210	210	160	180	180	78	115	155	6.00
EMH-175	B016084010005	232	281	185	202	251	97	141	170	8.90
EMH-200	B016084010006	257	298	200	227	268	106	150	195	11.90
EMH-230	B016084010009	295	330	236	259	295	140	189	230	15.80

*Standard enclosures are supplied painted - painting cycle: C4 - Colour: Blue RAL5014

For complete junction boxes, ask to the Sales Office.

Note: For installations in either Zone 1 or in the presence of Group IIC gases, barrier glands are required. Please refer to EN-60079-14.

Maximum number of entries on sides A/B under ATEX directive

TYPE	EMH-160	EMH-175	EMH-200	EMH-230
M20/1/2"	5/5	5/7	7/9	7/9
M25/3/4"	5/5	5/7	7/9	7/9
M32/1"	3/3	5/5	5/7	5/7
M50/1" 1/2	2/2	2/3	2/3	3/5
M63/2"	1/1	2/2	2/2	2/3
M75/2" 1/2	-	1/2	1/2	2/2
M80/3"	-	1/1	1/2	1/2