

VISUAL SIGNAL

EV../XN-MXN Series - Flashing lights - Copper-free aluminium

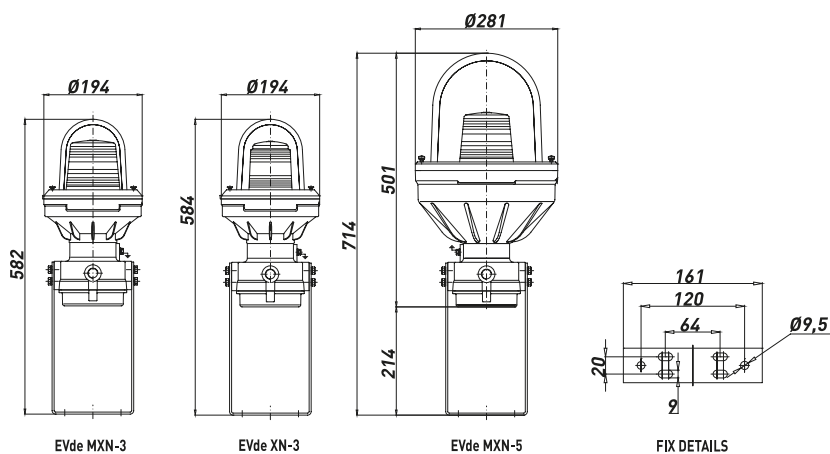


- Range of xenoflash visual signals complete with Fresnel lens, available in different luminous intensities, 2J , 6J and 15J
- Copper-free aluminium body and tempered glass lamp compartment ensure an excellent corrosion resistance
- EVde version, with integrated Ex e junction box, allows end users and contractors the possibility to save one junction box, two cable glands and a minimum of 30 minutes of labour during installation process. This version is supplied complete with an adjustable AISI304 stainless steel mounting bracket suitable for ceiling, wall and suspension installation.
- EVCC version, without integrated Ex e junction box, allows standard ceiling installation (available upon request).
- EVA version, without integrated Ex e junction box, allows standard suspension installation by conduit system and pastoral pole (available upon request).

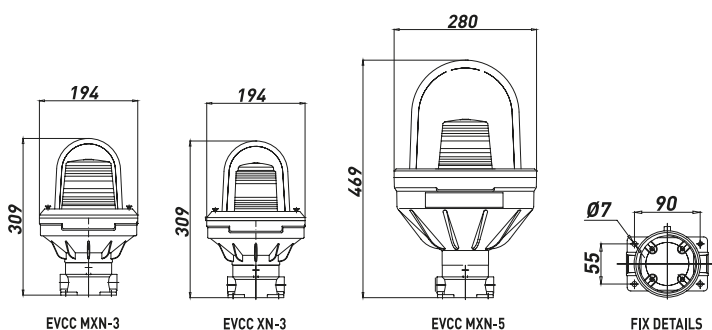
TECHNICAL FEATURES

Material	Copper-free aluminium
IP rating	IP66
Ambient temperature range	-52°C to +60°C
Approvals	ATEX: INERIS 01ATEX0019X - IECEx: INE 15.0031X EAC: RU C-IT.BH02.B.00616/20 - ECAS: 21-04-10282 E21-04-021858
Marking	II 2 GD Ex d IIC T(**) Gb for all EV.. Ex de IIC T(**) Gb for all Evde.. Ex tb IIIC T(**) Db IP66 ** T5/T100°C, T4/T135°C
Gaskets	O-ring made of Nitrile Rubber (NBR)
Surface treatment	Polyurethane painting cycle - Blue colour RAL5014 (other colour available upon request)
Entries	N° 2 entries M25x1,5 (EVde and EVCC version) N° 1 entry M25x1,5 (EVA version) (plugs and cable glands excluded)
Included accessories	AISI304 Stainless steel external hardware and screws
Lamps	Included
Colour	Red (other colours available upon request)
Rated operation voltage (UE)	240Vac, 12/24Vac/dc 110Vac (available upon request)
Frequency (AC version)	50/60Hz
Optional accessories	Protection guard

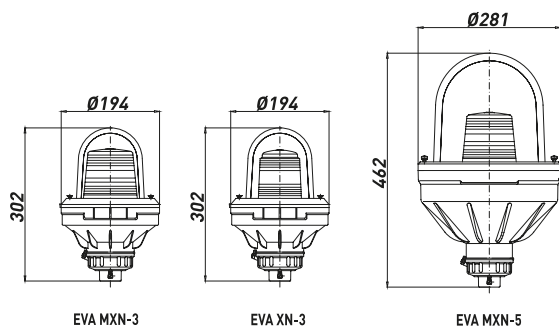
Dimensions EVde../XN-MXN



Dimensions EVCC../XN-MXN



Dimensions EVA../XN-MXN



EV../XN-MXN Series Visual Signals

TYPE	CODE	LAMP [W]	LUMINOUS INTENSITY	WEIGHT [Kg]	TEMP. CLASS	VOLTAGE
EVDE-XN-3	A040384500001	10	2J	4.50	T4*	240 V 50/60HZ
EVDE-MXN-3	A040384500003	25	6J	4.50	T4*	240 V 50/60HZ
EVCC-MXN-5	A040584500001	50	15J	6.00	T4*	240 V 50/60HZ
EVDE-XN-3	A040384C00001	10	2J	4.50	T4*	12/24 V AC/DC
EVDE-MXN-3	A040384C00002	25	6J	4.50	T4*	12/24 V AC/DC
EVCC-MXN-5	A040584C00001	50	15J	6.00	T4*	12/24 V AC/DC

*In case of maximum ambient temperature reaches +40°C, temperature class changes into T5 (ordering code to be required)