

VISUAL SIGNAL

EV../ROT Series - Rotating lights - Copper-free aluminium

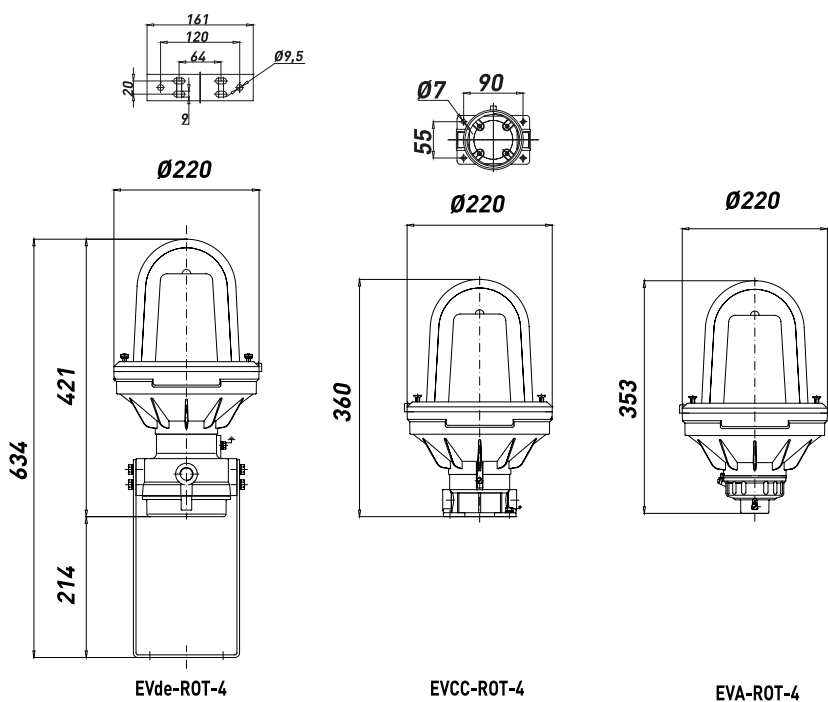


- Range of rotating lamp visual signals, available in two versions, 25W and 45W
- Copper-free aluminium body and tempered glass lamp compartment ensure an excellent corrosion resistance
- EVCC and EVA version available upon request.

TECHNICAL FEATURES

Material	Copper-free aluminium body Tempered glass lamp compartment
IP rating	IP66
Ambient temperature range	-52°C to +60°C
Approvals	ATEX: INERIS 01ATEX0019X - IECEx: INE 15.0031X EAC: RU C-IT.BH02.B.00616/20 - ECAS: 21-04-10282 E21-04-021858
Marking	II 2 GD Ex d IIC T(**) Gb for all EV.. Ex de IIC T(**) Gb for all Evde.. Ex tb IIIC T(**) Db IP66 ** T5/T100°C, T4/T135°C
Gaskets	O-ring made of Nitrile Rubber (NBR)
Surface treatment	Polyurethane painting cycle - Blue colour RAL5014 (other colour available upon request)
Entries	N° 2 entries M25x1,5 (EVde and EVCC version) N° 1 entry M25x1,5 (EVA version) (plugs and cable glands excluded)
Included accessories	AISI304 Stainless steel external hardware and screws
Lamps	Included
Colour	Red (other colours available upon request)
Rated operation voltage (UE)	240Vac, 12Vdc, 24Vdc 12Vac, 24Vac, 48Vac, 48Vdc, 110Vac (available upon request)
Frequency (AC version)	50/60Hz
Optional accessories	Protection guard

Dimensions EV../ROT



EV../ROT Visual signals

TYPE	CODE	LAMP [W]	WEIGHT [Kg]	TEMP. CLASS	VOLTAGE
EVde-4/ROT	A04B111C51B1D	25	8.50	T4*	48Vac 50/60Hz
EVde-4/ROT	A040435500001	25	8.50	T4*	240Vac 50/60Hz
EVde-4/ROT	A04B111C51D1D	25	8.50	T4*	24Vac 50/60Hz
EVde-4/ROT	A040435300001	25	8.50	T4*	110Vac 50/60Hz
EVde-4/ROT	A040435900001	45	8.50	T4*	12Vdc
EVde-4/ROT	A040435A00001	45	8.50	T4*	24Vdc

*In case of maximum ambient temperature reaches +40°C, temperature class changes into T5 (ordering code to be required)