

Explosion Proof Manual Pull Station Series XPPS



www.stahl.de
↑



- > UL Rating
- > Double pole double throw switch rated at 10 A
- > Terminal block connections
- > Metal construction
- > Mounting hardware included
- > Key lock or tool reset options
- > Additional colour finishes available
- > Dual action lift and pull cover
- > Custom silk screening or engraving






10576E00

The XPPS double action manual pull station is designed for use in hazardous areas and harsh environments. The aluminium enclosure provides a light weight, durable and robust device suitable for use in both offshore and onshore applications. Available in a double action Break Glass Pull Lever or Lift Flap Pull Lever option and a single action Pull Lever type, all available in a variety of colours.

	NEC 500					
	Class I		Class II		Class III	
Division	1	2	1	2	1	2
For use in	x		x			

Versions

 <small>17066E00</small>	 <small>17067E00</small>	 <small>17068E00</small>
XPPS with Key Lock and Break Glass Adaptor	XPPS Tool Reset Standard Pull Station	XPPS with Key Lock and Lift Flap Options

WebCode XPPSA

Explosion Proof Manual Pull Station Series XPPS



Selection Table - Standard variants

Version	Description	Enclosure colour	Order number	Art. no.	Weight kg	
Explosion proof manual pull station with standard double pole double throw switch Series XPPS	Key lock	Standard pull station	red	XPPS / 04 - 11 - 20 - 31 - 41	240295	1.600
			blue	XPPS / 04 - 11 - 20 - 32 - 41	240335	1.600
			green	XPPS / 04 - 11 - 20 - 33 - 41	240341	1.600
			yellow	XPPS / 04 - 11 - 20 - 34 - 41	240347	1.600
		Lift and pull	red	XPPS / 04 - 11 - 21 - 31 - 41	240330	1.720
			blue	XPPS / 04 - 11 - 21 - 32 - 41	240336	1.720
			green	XPPS / 04 - 11 - 21 - 33 - 41	240342	1.720
			yellow	XPPS / 04 - 11 - 21 - 34 - 41	240348	1.720
		Break glass adaptor	red	XPPS / 04 - 11 - 22 - 31 - 41	240331	1.840
			blue	XPPS / 04 - 11 - 22 - 32 - 41	240337	1.840
			green	XPPS / 04 - 11 - 22 - 33 - 41	240343	1.840
			yellow	XPPS / 04 - 11 - 22 - 34 - 41	240349	1.840
	Tool reset	Standard pull station	red	XPPS / 04 - 12 - 20 - 31 - 41	240332	1.600
			blue	XPPS / 04 - 12 - 20 - 32 - 41	240338	1.600
			green	XPPS / 04 - 12 - 20 - 33 - 41	240344	1.600
			yellow	XPPS / 04 - 12 - 20 - 34 - 41	240350	1.600
		Lift and pull	red	XPPS / 04 - 12 - 21 - 31 - 41	240333	1.720
			blue	XPPS / 04 - 12 - 21 - 32 - 41	240339	1.720
			green	XPPS / 04 - 12 - 21 - 33 - 41	240345	1.720
			yellow	XPPS / 04 - 12 - 21 - 34 - 41	240351	1.720
Break glass adaptor		red	XPPS / 04 - 12 - 22 - 31 - 41	240334	1.840	
		blue	XPPS / 04 - 12 - 22 - 32 - 41	240340	1.840	
		green	XPPS / 04 - 12 - 22 - 33 - 41	240346	1.840	
		yellow	XPPS / 04 - 12 - 22 - 34 - 41	240352	1.840	

E5

Type Code

Variations	XPPS /	04 /	_ /	_ /	_ /	_ /
Double pole double throw with terminal block	04					
Key lock	11					
Tool reset	12					
Standard pull station	20					
Lift and pull	21					
Break glass adaptor	22					
Colour	red	31				
	blue	32				
	green	33				
	yellow	34				
	other	30				
Standard	41					
Special processing, custom silk screening or engraving	42					

Explosion Proof Manual Pull Station

Series XPPS



Explosion Protection

North America (NEC, CEC)

Gas and dust	Class I, Division 1, Groups B, C, D Class II, Division 1, Groups E, F, G Class III UL LLC Fire alarm/initiating stations ULC Non coded fire alarm manual stations
--------------	---

Certifications and certificates

Certificates	Canada, USA Note: XPPS is not CE marked and therefore is not intended for installation within the European Economic Area
--------------	---

Technical Data

Electrical data

Rated operational voltage	125 ... 250 V AC
Switch	
Switch	10 A, double pole double throw
Switch position	Closed, normally open or normally closed

Device options

Tool reset	Standard lock mechanism - M3 allen key required
Key lock	Lock and key reset - key supplied with device
Lift flap	Aluminium lift flap for „Lift and Pull“ action
Break glass adaptor	Glass element for „Break glass and Pull“ action
Surface finish	Painted finish, customer to select colour
Special processing	Customised silk screening or engraving

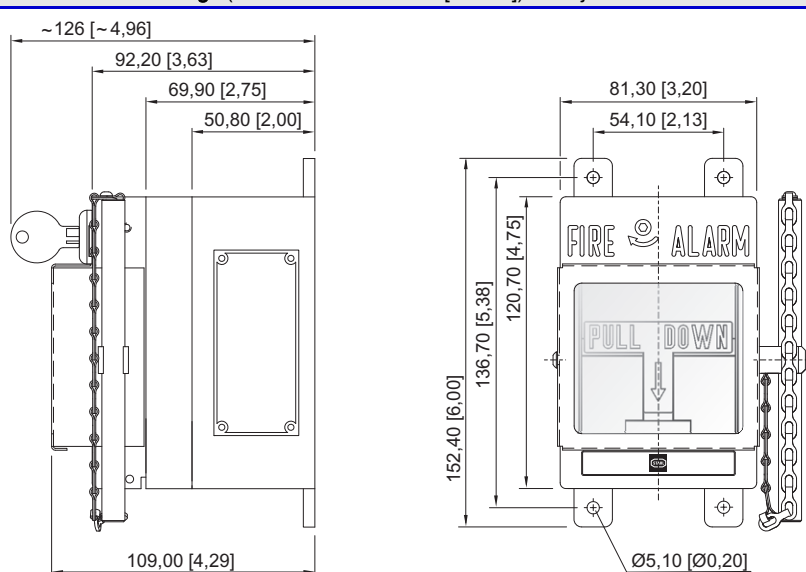
Ambient conditions

Operating temperature range	-25 ... +40 °C
-----------------------------	----------------

Mechanical data

Material	
Enclosure material	Aluminium
Degree of protection	NEMA 4X, outdoor use
Cable glands	2 x 3/4" NPT
Connection	
Terminals	Terminate wires 12 ... 22 AWG
Earth connection	Internal as standard

Dimensional Drawings (All Dimensions in mm [inches]) - Subject to Alterations



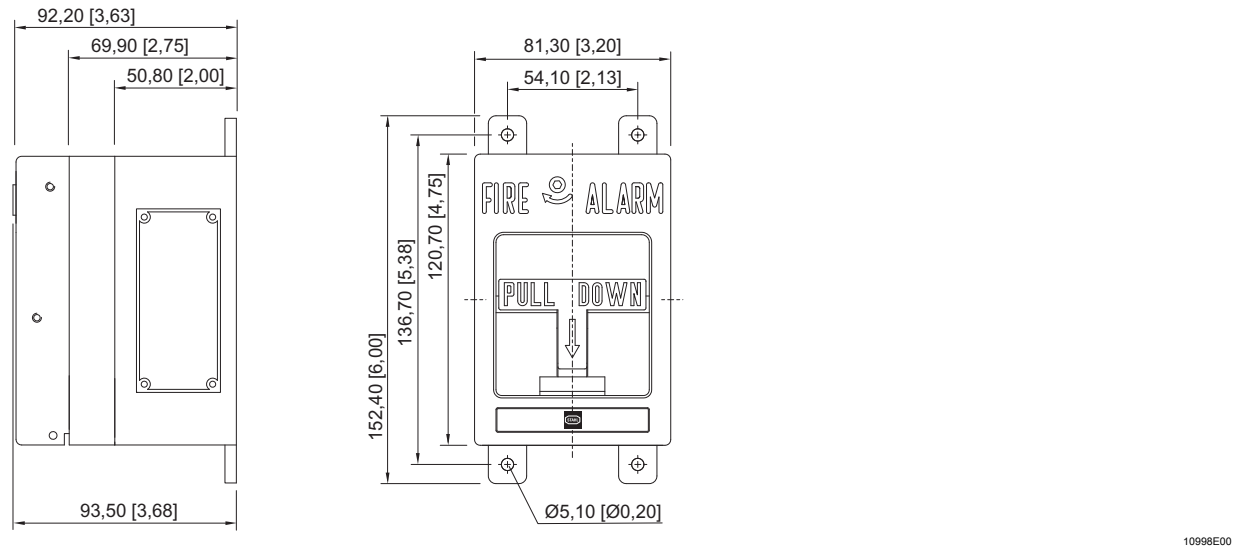
XPPS with Key Lock and Break Glass Adaptor

10197E00

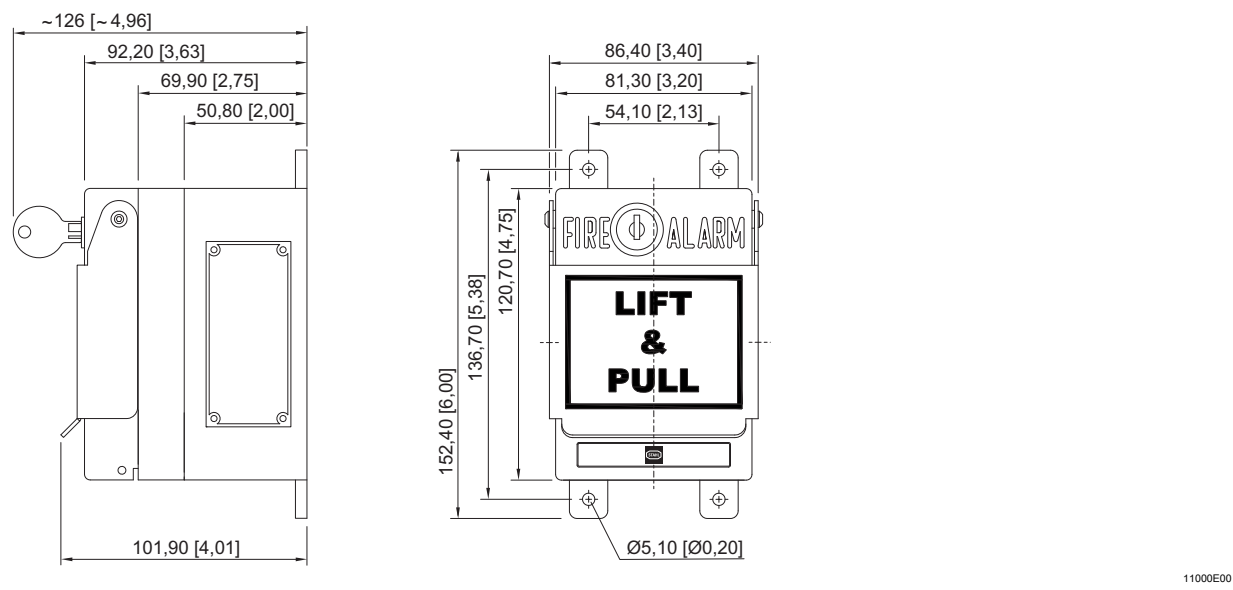
Explosion Proof Manual Pull Station Series XPPS



Dimensional Drawings (All Dimensions in mm [inches]) - Subject to Alterations



XPPS Tool Reset Standard Pull Station



XPPS with Key Lock and Lift Flap Options

We reserve the right to make alterations to the technical data, dimensions, weights, designs and products available without notice. The illustrations cannot be considered binding.

E5